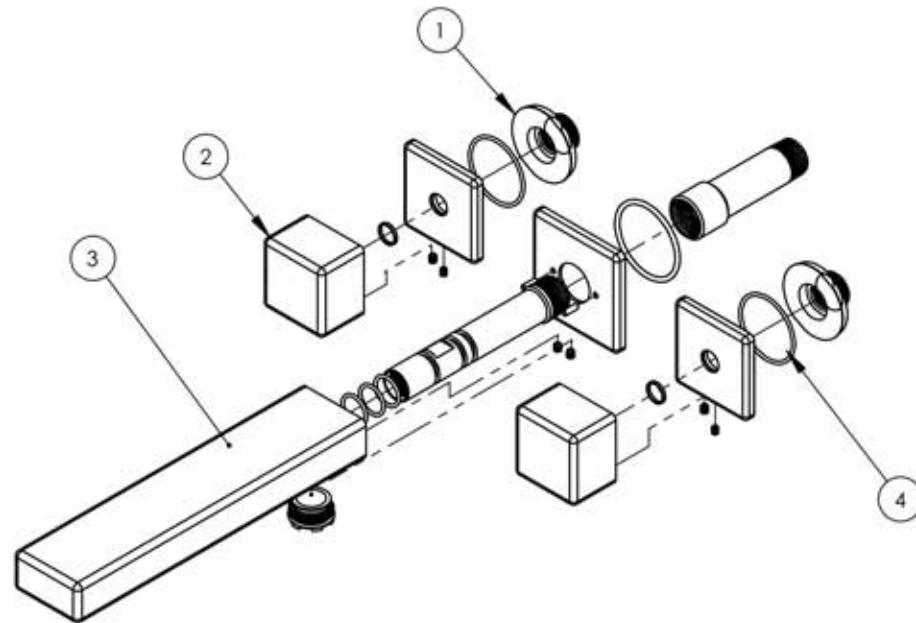


A

B

C

D



ITEM NO.	PART NUMBER	DESCRIPTION	QTY.
1	11003	SLEEVE MOUNT, WALL MT WIDESPREAD	2
2	3-102/00	ASSY. HANDLE CUBE MIX	2
	10932/00	ESCUTCHEON, HANDLE MIX SERIES	1
	10926/00	HANDLE, SQUARE/CUBE MIX SERIES	1
	92176	WEAR WASHER	1
	92005	SET SCREW, CUP PT 6-32UNC THREAD 3/16"L	1
	92008	SET SCREW, CUP POINT 8-32	1
3	3-124/00	WALL TUB SPOUT, MIX SERIES	1
	10934/00	ESCUTCHEON, SPOUT RT MIX SERIES	1
	92158	DOWEL PIN, 1/8" X 3/8"L	2
	90131	O-RING, 1-11/16ID X 3/32THK, AS-568-131	1
	11000/00	SPOUT, WALL MOUNT	1
	10013	INJECTOR SHANK, 1/2"NPT MALE TO M16.5 CACHE W/ O-SEAL	1
	90016	O-RING, 5/8"ID X 3/4"OD X 1/16"THK, AS-568-016	3
	11234	EXTENSION 1/2"-NPT FOR INJECTOR SHANK	1
	92008	SET SCREW, CUP POINT 8-32	2
	P05051	AERATOR, CACHE COINED SLOT M24X1.0 FULL FLOW	1
4	90029	O-RING, 1-5/8"ID X 1-3/4"OD X 1/16"THK, AS-568-029	2

ZONE	REV.	DESCRIPTION	DATE	APPROVED
		REVISIONS		

1261 LOGAN AVENUE COSTA MESA, CALIFORNIA 92626 PHONE: 714.361.4800 FAX: 714.617.3120	<b>PHYLORICH®</b> Defining Luxury Since 1959	<b>PROPRIETARY AND CONFIDENTIAL</b> THE INFORMATION CONTAINED IN THIS DRAWING IS THE SOLE PROPERTY OF RSS MANUFACTURING. ANY REPRODUCTION IN PART OR AS A WHOLE WITHOUT THE WRITTEN PERMISSION OF RSS MANUFACTURING IS PROHIBITED.
-----------------------------------------------------------------------------------------------	-------------------------------------------------	---------------------------------------------------------------------------------------------------------------------------------------------------------------------------------------------------------------------------------------

-	-	INTERPRET GEOMETRIC DIMENSIONING & TOLERANCING IN ACCORDANCE WITH ASME Y14.5-2009 & ASME Y14.41-2003 STANDARDS, UNLESS OTHERWISE SPECIFIED. DIMENSIONS ARE IN INCHES. TOLERANCES ARE:		
NEXT ASSY	USED ON	FRACTIONS ±1/64"	DECIMALS X.X: ±.1 X.XX: ±.01 X.XXX: ±.005	ANGULAR ±.5°
MATERIAL	APPLICATION		NAME	DATE
FINISH		DRAWN	CA	5/30/2013
<b>DO NOT SCALE DRAWING</b>		CHECKED		

WALL TUB SET TRIM, CUBE HANDLE, MIX SERIES

SIZE <b>A</b>	ASM/PRT NO. 290-59/00	REV
SCALE: 1:3	WEIGHT: lbs.	SHEET 1 OF 2

5

4

3

2

1